

TURTLE NURSERY & LANDSCAPE SUPPLIES

www.turtlenursery.com.au

ABN 68 001 433 727

ROUSE HILL

Cnr. Windsor & Rouse Roads
PO Box 3024, Rouse Hill 2155

Phone: (02) 9629 2299

Email: turtle@turtlenursery.com.au

Opening Hours:

Mon-Fri 6:30am - 4:50pm
Sat 6:30am - 3:50pm
Sun 8:00am - 3:50pm

SOUTH WINDSOR

Cnr. Racecourse &
Blacktown Roads, South Windsor 2756

Phone: (02) 4574 3299

Email: turtlelandscapes@bigpond.com

Opening Hours:

Mon-Fri 6:30am - 4:50pm
Sat 6:30am - 3:50pm
Sun 8:00am - 3:50pm

INCLUDES GST.	PRICE LIST				EFFECTIVE 1/2/21
SOILS	1 T	³ / ₄ T	¹ / ₂ T	¹ / ₄ T	20Kg Bag
Premium Top Dressing	\$80	\$62	\$43	\$24	\$8
80/20 Top Dressing	\$62	\$48.50	\$34	\$19.50	\$8
80/20 Turf Underlay	\$62	\$48.50	\$34	\$19.50	\$8
Top Soil	\$60	\$47	\$33	\$19	\$8
Fertilized Top Dressing	\$88	\$68	\$47	\$26	-
RECYCLED SOILS	1 T	³ / ₄ T	¹ / ₂ T	¹ / ₄ T	Bag
Recycled Turf Underlay (Not suitable for Top Dressing)	\$30	\$24.50	\$18	\$11.50	-
GARDEN MIXES	1 M ³	³ / ₄ M ³	¹ / ₂ M ³	¹ / ₄ M ³	25 Ltr Bag
Garden Mix	\$60	\$47	\$33	\$19	\$8
Vege Mix	\$68	\$53	\$37	\$21	\$8
Premium Garden Mix	\$66	\$51.50	\$36	\$20.50	\$8
Soil Conditioner	\$66	\$51.50	\$36	\$20.50	-
Potting Mix	\$130	\$99.50	\$68	\$36.50	\$4.50
Native Mix	\$66	\$51.50	\$36	\$20.50	\$8
MANURES	M3	³ / ₄ M ³	¹ / ₂ M ³	¹ / ₄ M ³	Bag
Cow Manure	\$86	\$66.50	\$46	\$25.50	\$4.50 25 ltr
Mushroom Compost	\$40	\$32	\$23	\$14	\$4.50 25 ltr
Duck Manure	\$36	\$29	\$21	\$13	-
TURF					m ²
Sir Walter					\$12
Eureka Kikuyu					\$7
Nullarbor Couch					\$7
Tiftuf					\$12
Sir Grange					\$25
	FIREWOOD	1M ³	¹ / ₂ M ³	¹ / ₄ M ³	
	Mixed Firewood	\$150	\$85	\$45	
	Premium Firewood	\$170	\$95	\$50	
	Kindling	\$15/Bag			

All prices include GST. Prices are ex yard, and can change without notice.

1 tonne - cubic metre minimum delivery

GARDEN MULCHES	M³	³/₄ M³	¹/₂ M³	¹/₄ M³	60Ltr Bag
Red Coloured Chip	\$70	\$54.50	\$38	\$21.50	\$9
Black Coloured Chip	\$70	\$54.50	\$38	\$21.50	\$9
Pine Bark (10mm)	\$79	\$61.25	\$42.50	\$23.75	\$9
Pine Bark (14mm, 25mm)	\$74	\$57.50	\$40	\$22.50	\$9
Eucalyptus Mulch	\$80	\$62	\$43	\$24	\$9
Pine Flake	\$42	\$33.50	\$24	\$14.50	-
Tea Tree Mulch	\$76	\$59	\$41	\$23	\$12 (50Ltr)
Hardwood Chip	\$68	\$53	\$37	\$21	\$9
Softwood Chip	\$56	\$44	\$31	\$18	\$9
Leaf Mulch	\$35	\$28.25	\$20.50	\$12.75	-
Forest Mulch	\$35	\$28.25	\$20.50	\$12.75	-
Forest Fines	\$60	\$47	\$33	\$19	\$9
Cypress Woodchip	\$90	\$69.50	\$48	\$26.50	\$9
Cypress Mulch	\$96	\$74	\$51	\$28	\$9
Saw Dust	\$46	\$36.50	\$26	\$15.50	-
Certified Turtle Playsafe	M³	³/₄ M³	¹/₂ M³	¹/₄ M³	Bag
Softfall 3-8mm	\$84	\$65	\$45	\$25	\$9
Softfall 10mm	\$84	\$65	\$45	\$25	\$9
	Per Bale			Per Bale	
Sugar Cane Mulch	\$15		Lucerne	\$20	

DECORATIVE GRAVELS	1 T	³/₄ T	¹/₂ T	¹/₄ T	20Kg Bag
Round River (10, 20, 40, 50,120mm)	\$120	\$92	\$63	\$34	\$12
Lucky Stones (100-300mm)	\$120	\$92	\$63	\$34	\$12
Smokey White Quartz (14mm)	\$180	\$137	\$93	\$49	\$14
Crushed Western White (10, 20, 40mm)	\$220	\$167	\$113	\$59	\$14
Griffith Red Gravel (7, 10, 14mm)	\$210	\$159.50	\$108	\$56.50	\$14
Cowra White (10, 20, 40mm)	\$225	\$170.75	\$115.50	\$60.25	\$14
Aussie Brown (7,10mm)	\$120	\$92	\$63	\$34	\$12
White Scoria (20mm)	\$150	\$114.50	\$78	\$41.50	\$12
Aussie Gold (10, 14mm)	\$175	\$133.25	\$90.50	\$47.75	\$14
Aussie Gold (20, 40mm)	\$225	\$170.75	\$115.50	\$60.25	\$14
Polished Black Pebbles (10-20mm 20-30mm 30-50mm 50-70mm)					\$25
Snow White Pebbles 20kg (20-30mm 30-50mm 50-70mm)					\$25
Lava Pebbles 15kg					\$20

FERTILIZERS	Price	Price
900gms Sir Walter Launcher	\$14	25kg Garden Lime \$14
3kg Sir Walter Launcher	\$34	20kg Gypsum \$12
4kg Sir Walter Fertiliser	\$25	20kg Blood & Bone \$40
10kg Sir Walter Fertiliser	\$45	20kg Banana Special \$40
20kg No. 17 Lawn Food	\$42	15kg Everris Lawn Fertiliser \$45
20kg Sulphate Ammonia	\$27	
25kg Turf Lifter	\$40	
25kg Dynamic Lifter Pellets	\$20	

SANDS	1 T	¾ T	½ T	¼ T	20Kg Bag
Fill Sand	\$46	\$36.50	\$26	\$15.50	-
Paving Sand / Metal Dust	\$62	\$48.50	\$34	\$19.50	\$8
Washed River Sand	\$80	\$62	\$43	\$24	\$8
Coarse Washed River Sand	\$78	\$60.50	\$42	\$23.50	\$8
Sydney/Newcastle Sand	\$74	\$57.50	\$39	\$22.50	\$8
Yellow Brickie Sand	\$68	\$53	\$37	\$21	\$8
White Brickie Sand	\$80	\$62	\$43	\$24	\$8
Double Washed White	\$86	\$66.50	\$46	\$25.50	\$8
Sand & Metal Mix	\$86	\$66.50	\$46	\$25.50	-
P. Course Sand	\$88	\$68	\$47	\$26	\$8

DECOMPOSED GRANITE	1 T	¾ T	½ T	¼ T	20Kg Bag
Brown Decomposed Granite	\$84	\$65	\$45	\$25	\$12
Pink Decomposed Granite	\$88	\$68	\$47	\$26	\$12
Gold Decomposed Granite	\$88	\$68	\$47	\$26	\$12
Bonze Granite	\$88	\$68	\$47	\$26	\$12

QUARRY PRODUCTS	1 T	¾ T	½ T	¼ T	20Kg Bag
Blue Metal (5, 10, & 20mm)	\$80	\$62	\$43	\$24	\$8
Road Base 20mm	\$65	\$50.75	\$35.50	\$20.25	\$8
Metal Dust	\$62	\$48.50	\$34	\$19.50	\$8
Ashes (in m3)*	\$40*	\$32*	\$23*	\$14*	\$6* 25 ltr
Crushed Sandstone 75mm minus	\$44	\$35	\$25	\$15	-
Basalt (90mm-250mm)	\$100	\$77	\$53	\$29	-
Basalt (63mm)	\$100	\$77	\$53	\$29	\$10
DGB Road Base (20mm)	\$69	\$53.75	\$37.50	\$21.25	-

RECYCLED PRODUCTS	1 T	¾ T	½ T	¼ T	20Kg Bag
Recycled Roadbase	\$46	\$36.50	\$26	\$15.50	-
Recycled Concrete Agg. (10, 20mm)	\$55	\$43.25	\$30.50	\$17.75	\$7
Recycled Asphalt	\$46	\$36.50	\$26	\$15.50	-
Recycled Concrete Dust	\$45	\$35.75	\$25.50	\$15.25	-
Recycled Concrete Agg. 40/70	\$55	\$43.25	\$30.50	\$17.75	-

LINKEDGE	Price	BUSH ROCK	\$ Per Unit
100mm x 3m	\$42	Bush Rock	\$130 m ²
75mm x 3m	\$36	Sandstone Flagging	\$95 m ²
50mm x 3m	\$34	Sandstone Random Ballast	\$95 m ²
Plate Connectors	\$1	Large Sandstone Boulders (selected)	\$85 tonne
Pin Guides	\$1	Small Sandstone Boulders	\$110 tonne
90° Corner	\$2.20	Sawn Sandstone Flagging	\$120 m ²
150 Spikes	\$1.70		
300 Spikes	\$2		

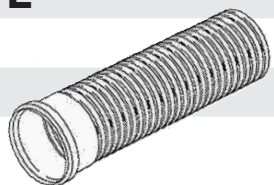
BUILDING PRODUCTS	Size	Per Mtr	Per Roll
Black Plastic	2m x 100m	\$2	\$95
Black Plastic	4m x 100m	\$4	\$190
Shade Cloth Knitted	50m x 1.8	\$8	\$300
Shade Cloth Knitted	50m x 3.6	\$15	\$600
Mulch Mat	50m x 1.8	\$2	\$70
Weed Control Mat	50m x 1.8	\$2	\$70
Weed Control Mat	50m x 900mm	\$1.50	\$45
Orange Polythene	2m x 50m x 200um	\$3	\$90
Orange Polythene	4m x 50m x 200um	\$6	\$170

CONCRETE SLABS	Price	STEPS AND RISERS	Price
330 x 330mm	\$9.50	760mm long x 330mm wide x 170mm high	\$65
300 x 450mm	\$10.50	914mm long x 330mm wide x 170mm high	\$70
300 x 600mm	\$14.50	1220mm long x 350mm wide x 170mm high	\$90
500 x 500mm	\$16.50	1800mm long x 350mm wide x 170mm high	\$160
450 x 600mm	\$15.50		
600 x 600mm	\$18.50		

TREE SQUARES	Price	TREE RINGS	Price
Small Full	\$17	Small Half – per Pair	\$22
		Small Full – each	\$19

MOWER STRIPS	Price	STEPPING STONES - ROUND	Price
900mm	\$15	330mm	\$10
Corners	\$15	400mm	\$13
		Kidney Stepping Stones	\$14

AGRICULTURAL PIPE	Unsocked		Socked	
Diameter	10Mtr	20Mtr	10 Mtr	20 Mtr
65mm	\$20	\$40	\$32	\$60
100mm	\$30	\$48	\$50	\$90



PIPES	Price
90mm x 5mm x 6m Stormwater Pipe	\$22
100mm x 35mm x 6m P.V.C. Sewer Pipe	\$35

Agricultural Pipe Fittings • Bends • Reducers • Stops - All Available

CEMENT	20Kg Per Bag
GP Cement	\$8.50
Sand/Cement Mix	\$7.50
Concrete Mix	\$7.50
Quick Set Concrete Mix	\$8
Hyd. Lime	\$13
Bitumen (Coldmix)	\$26
Boral Premium Clay	\$15
Builders Cement	\$8
Boral Off White	\$10
Uni Sand	\$10.50

BONDCRETE	Price
1 Litre	\$28
2 Litres	\$37
4 Litres	\$68
15 Litres	\$160
20 Litres	\$185

BYCOL CLEAR & DARK	Price
5 Litres	\$22
20 Litres	\$55

OXIDES	1Kg	4Kg	20Kg
Black	\$20	\$65	\$180
Brown	\$24	\$75	\$220
Yellow	\$22	\$85	\$185
Red	\$19	\$55	\$155

EXPANSION JOINT	Price
2.4 x 100mm	\$8
2.4 x 75mm	\$7
2.4 x 50mm	\$6

POLY DAMPCOURSE	Per Roll
30m x 110mm	\$10
30m x 150mm	\$12
30m x 230mm	\$18
30m x 300mm	\$22
30m x 350mm	\$24
30m x 380mm	\$26

RENDER CORNERS	Price
Plastic Render Corner 3.0	\$6

BRICK TIES	Price
Gal Expansion Ties (20 Box)	\$30
Gal Stubby Ties (150 Box)	\$20
Gal Veneer Ties (150 Box)	\$23
Wall Tiles (Bundle of 50)	\$11

GEOTEXTILE (BIDUM)	50M	Per Mtr
0.6m	\$60	\$1.40
1m	\$80	\$2.20
2m	\$160	\$4.20

DRAINS/PITS	Each
1m Drain	\$22
3m Drain	\$65
End Caps	\$5.50
90° Corner	\$35
Uni Pit-Plastic Grate	\$18
Uni Pit-Aluminium Grate	\$33
Rainwater Pit	\$18
Stormwater Pit	\$40






FLEXIBLE ROOF POINTING	
SELLEYS POINTWORKS \$40	
WAKAFLEX	Price
280mm x 5m	\$150
370mm x 5m	\$220
500mm x 5m	\$300
SARKING	
30m x 1.5m roll	\$75

STEEL PRODUCTS



REINFORCING MESH

		Size	\$ Per Unit
SL62 Ute Mesh	 Mesh	4.0m x 2.0m	\$62 sheet
SL62 Mesh		6.0m x 2.4m	\$95 sheet
Trench Mesh 8mm	 Trench Mesh	6.0m x 0.2m	\$25 each
Trench Mesh 8mm		6.0m x 0.3m	\$33 each
Rebar		12mm x 6m	\$16 each

POSTS

C Post		90° Corner Post		45° Corner Post	
	100mm x 1.2m \$40		100mm x 1.2m \$100		100mm x 1.2m \$150
	100mm x 1.5m \$48		100mm x 1.5m \$128		100mm x 1.5m \$185
	100mm x 1.8m \$58		100mm x 1.8m \$160		100mm x 1.8m \$220
Flat Bar		H Post			
	85mm x 7mm x 0.9m \$14.50		100mm x 1.2m \$62		
	85mm x 7mm x 1.0m \$16		100mm x 1.5m \$78		
	85mm x 7mm x 1.2m \$20		100mm x 1.8m \$92		

LINTELS

	100mm x 100mm x 6mm x 0.9m \$24		150mm x 100mm x 6mm x 2.4m \$82
	100mm x 100mm x 6mm x 1.2m \$32		150mm x 100mm x 6mm x 2.7m \$92
	100mm x 100mm x 6mm x 1.5m \$40		150mm x 100mm x 6mm x 3.0m \$100
	100mm x 100mm x 6mm x 1.8m \$50		150mm x 100mm x 6mm x 3.3m \$110
	100mm x 100mm x 6mm x 2.1m \$58		150mm x 100mm x 6mm x 3.6m \$120
	100mm x 100mm x 6mm x 2.4m \$65		

T-BEAMS

	200mm x 8mm + 200mm x 6mm x 2.7m \$260
	200mm x 8mm + 200mm x 6mm x 3.0m \$290
	200mm x 8mm + 200mm x 6mm x 3.3m \$320
	200mm x 8mm + 200mm x 6mm x 3.6m \$350

STEEL STAR POSTS

450mm	\$3
600mm	\$3.50
900mm	\$5
1.5m	\$7
2.4m	\$14

FLEXLINE STEEL EDGING	Per Length	ACCESSORIES	Price
FL075 Weathered Steel - 75mm x 2200mm	\$46.20	SCFP - 300mm Fixing Pins	\$1.45 each
FL100 Weathered Steel - 100mm x 2200mm	\$49.70	SC-PEG-WS/GS - Fixing Pegs	\$2.70 each
FL150 Weathered Steel - 150mm x 2200mm	\$56.20	TS1216Z/D - Tek Screws	\$4.25 - Pkt 20
FL240 Weathered Steel - 240mm x 2160mm	\$114.15	Anchor - Bar - Sml - 240mm	\$9 each
FL400 Weathered Steel - 400mm x 2160mm	\$177.45	Anchor - Bar - Lrg - 400mm/560mm	\$24 each
FL560 Weathered Steel - 560mm x 2160mm	\$222.75	Universal Brace Set	\$22.45 each
FL100WS/GS-CRNR - 100mm x 1000mm	\$18.05		
FL150WS/GS-CRNR - 150mm x 1000mm	\$21.60		
HARDLINE STEEL EDGING			
HL100 Weathered Steel - 100mm x 2200mm	\$70.95		
HL150 Weathered Steel - 150mm x 2200mm	\$106.80		
HL100WS/GS-CRNR - 100mm x 500mm	\$39.55		
HL150WS/GS-CRNR - 150mm x 500mm	\$46.60		

TIMBER PRODUCTS

TREATED LOGS

PERFECT ROUND LOGS	100mm	125mm	150mm	175mm	200mm
1.8m (6')	\$14	\$20	\$26	\$36	—
2.4m (8')	\$18	\$26	\$40	\$48	\$69
3.0m (10')	\$22	\$30	\$42	\$58	\$82



WINGED SPLITS	100mm	125mm	SLABS	100mm	125mm
1.8m (6')	\$13	\$17	1.8m (6')	\$19	\$25
2.4m (8')	\$16	\$22	2.4m (8')	\$25	\$34
3.0m (10')	\$18	\$25	3.0m (10')	\$30	\$40



TREATED SAWN PINE TIMBER			SPIKES			
	Length 3.6m	Length 4.8m		2kg	5kg	15kg
75 x 25	\$12	\$14	100mm x 4.5mm	\$25	\$55	\$140
100 x 25	\$15	\$17	125mm x 5.6mm	\$25	\$55	\$140
150 x 25	\$18	\$22	150mm x 5.6mm	\$25	\$55	\$140
70 x 45	\$18	—	175mm x 5.6mm	—	\$55	\$140
90 x 45	\$22	—	150mm x 9.0mm	—	\$60	\$155
140 x 45	\$28	—	175mm x 9.0mm	—	\$60	\$155
190 x 45	\$36	—	200mm x 9.0mm	—	\$60	\$155
90 x 90	\$38	—	225mm x 9.0mm	—	\$60	\$155
			250mm x 9.0mm	—	\$60	\$155

SOFTWOOD TREATED SLEEPERS	Pack Size	\$ Each	NEW HARDWOOD SLEEPERS	Pack Size	\$ Each
150 x 50 x 2.4m (6" x 2" x 8')	48	\$13	200mm x 100mm x 2.4m (8"x 4"x 8')	15	\$42
150 x 75 x 2.4m (6" x 3" x 8')	30	\$18	USED RAILWAY SLEEPERS	Pack Size	\$ Each
150 x 100 x 2.4m (6" x 4" x 8')	24	\$23	Old "B" Grade Sleepers 2.4m	30	\$50
200 x 50 x 2.4m (8" x 2" x 8')	40	\$16	Old "A" Grade Sleepers 2.4m	30	\$70
200 x 75 x 2.4m (8" x 3" x 8')	25	\$23	Old "AA" Grade Sleepers 2.4m	30	\$90
200 x 100 x 2.4m (8" x 4" x 8')	20	\$29	Old "A" Grade Sleepers 1.2m	30	\$40
200 x 75 x 3.0m (8" x 3" x 10')	25	\$28	HARDWOOD STAKES		\$ Each
200 x 100 x 3.0m (8" x 4" x 10')	20	\$36	25mm x 25mm x 1.2m (1" x 1" x 4ft)		\$2.50

ACQ SOFTWOOD TREATED SLEEPERS	Pack Size	\$ Each
Arsenic Free		
200 x 50 x 2.4m (8" x 2" x 8')	40	\$22
200 x 75 x 2.4m (8" x 3" x 8')	25	\$29

TREATED PINE PEGS	\$ Each
50mm x 50mm x 450mm	\$4
50mm x 50mm x 600mm	\$4.50
50mm x 50mm x 900mm	\$6

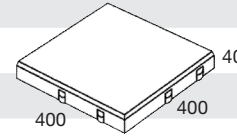
25mm x 25mm x 1.8m (1" x 1" x 6ft)	\$3
38mm x 38mm x 1.8m (1½" x 1½" x 6ft)	\$5.50
50mm x 25mm x 300mm (2" x 1" x 1ft)	\$2
50mm x 25mm x 450mm (2" x 1" x 18")	\$2
50mm x 50mm x 300mm (2" x 2" x 1ft)	\$2.50
50mm x 50mm x 450mm (2" x 2" x 18")	\$3
50mm x 50mm x 600mm (2" x 2" x 2ft)	\$3.50
50mm x 50mm x 900mm (2" x 2" x 3ft)	\$4.50
50mm x 50mm x 1.5m (2" x 2" x 5ft)	\$6

BRICKS, BLOCKS & PAVERS

PAVING

400L x 400W x 40H	All colours in stock
600L x 400W x 40H	All colours in stock
Bush Rock Steppers	Charcoal

MYSTONE



\$ Each

\$7.50
\$14
\$12

PAVING

230L x 115W x 50H	Camino 50
400L x 400W x 45H	Broadway 400
500L x 500W x 45H	Plaza Stone

AUSTRAL

\$ Each

\$1.65
\$8.50
\$13

ARRINASTONE

300L x 200W x 150H	ArrinaStone Body
350L x 200W x 150H	ArrinaStone Corner (set = 1LH & 1 RH)

\$ Each

\$6.50
\$39.50

COMMON BRICK

230L x 110W x 76H	Extruded Scratch Face Common
230L x 110W x 76H	Solid Common Face Brick

\$ Each

\$0.85
\$1.10

SYDNEYSTONE WALL

390L x 245W x 200H	Wall Block
390L x 245W x 90H	Capping Block
340L x 140W x 200H	Corner Block

\$ Each

\$11
\$11
\$12.50

PAVING

190L x 190W x 40H	FlagStone Paver
200L x 100W x 60H	Metric Paver

BAINES

\$ Each

\$1
\$1

GARDENSTONE WALL

240L x 190W x 120H	Gardenstone Block
240L x 190W x 120H	Gardenstone Capping Block

\$ Each

\$4
\$4

BESSER BLOCKS

200MM SERIES

	\$ Each
390L x 190W x 190H Standard Block	\$3.60
390L x 190W x 190H Top Groove Block	\$3.60
190L x 190W x 190H 1/2 Block	\$3
390L x 195W x 40H Capping Block	\$2.00
390L x 190W x 190H Split Face Full Block	\$5.80
190L x 190W x 190H Split Face Half Block	\$5
390L x 195W x 40H Coloured Cap	\$2.70

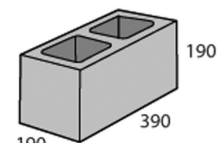
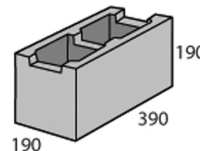
150MM SERIES

	\$ Each
390L x 140W x 190H Standard Block	\$2.80

100MM SERIES

	\$ Each
390L x 90W x 190H Standard Block	\$2.40

Top Groove 200mm SERIES
20.42 - Channel



Standard
20.01 - Hollow - Full Length

HUGE RANGE OF PALMS & PLANTS AT ROUSE HILL

ROUSE HILL
9629 2299

STH WINDSOR
4574 3299

ALL PRICES INC GST

WEEKEND & PUBLIC HOLIDAY DELIVERY SURCHARGE APPLIES

BRICKS, BLOCKS, PAVERS, BULK BAGS AND TURF NON REFUNDABLE NON RETURNABLE